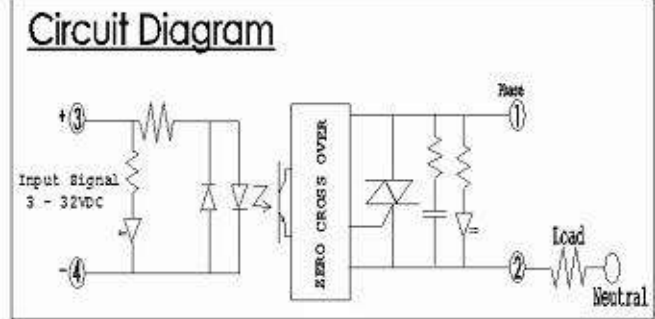


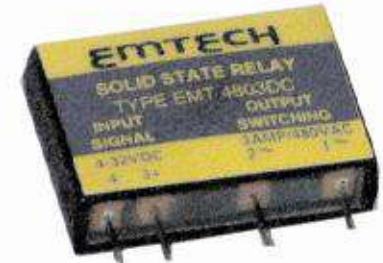
Single Phase DC to AC 3Amp PCB Mounted SSR

- PCB mounted S.S.R.
- Input-Output opto Isolation 2500Vrms
- True Zero Cross Over
- Virtually free from EMI \ RFI
- Input LED indication/Output Revers LED Indication
- Input TTL Compatibility
- Noise less without chattering and Fast Switching
- Output to body 4000V~ isolation
- Inbuilt Snubber
- Arcless Switching
- Reverse polarity Protection
- Output N\O Configuration



ADVANTAGES

- Contactless logic Relay with switching function performed by semiconductor device.
- True Zero Voltage turn ON/OFF.
- Input - Output Isolation (2500VA)
- TTL/CMOS Compatibility
- Virtually free electromagnetic interference and Radio frequency interference
- No moving contacts so no Acoustic Noise.
- Dustproof, Immunity to humidity, No effect of Alkaline / Acidic atmosphere.
- High speed and high frequency switching.
- Arcless switching. No contact bounce.
- Shock and vibration resistance.
- Longer life due to infinite number of switching.



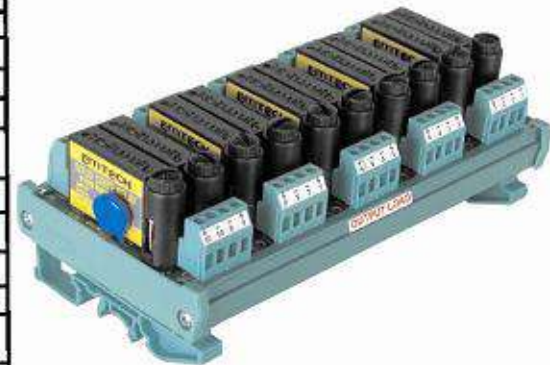
3Amp PCB MOUNT SSR

APPLICATION

- * Microprocessor Based Controllers
- * Business Machines
- * Laboratory Equipments
- * Primary Transformer Control
- * Photography Process Equipment
- * Medical Equipments
- * Automatic Vending Machine
- * ON/OFF of Solenoid Valve
- * CNC Machine Control
- * Switching of Contactors

TECHNICAL DATA

INPUT	DC Voltage Min-max	3-32VDC	DC Current Min.-Max.	4mA - 16mA	Impedance	1.5k ohms
OUTPUT AC						
RMS on state current at 20 C	IT	AMP	3Amp			
On state Voltage drop @rated current	V _{TM}	VRMS	1.2			
Min. Operating Voltage	V	VRMS	30			
Max. Zero Voltage Turn on		VPK	15			
Peak one cycle surge on -50Hz state current (non - repetitive)	ITSM	A	160			
Fusing current	I ² T	A ² S	128			
Max. Forward leakage current	I _{dm}	mA	12			
Holding current	I _{HO}	mA	35			
Critical rate of rise off state voltage	Dv/dt	V/μS	500			
Thermal resistance R _{th} (Junction to case) DC	JC θ	C/W	2.3			
Operating Temperature		°C	-40 to 70			
Frequency range		HZ	47 to 63			
Turn ON time max.		ms	10			
Repetitive peak off state Voltage (VDRM)	1000V _{PK} (480V _{RMS})					



3Amp PCB MOUNT SSR
10 Channel Card